

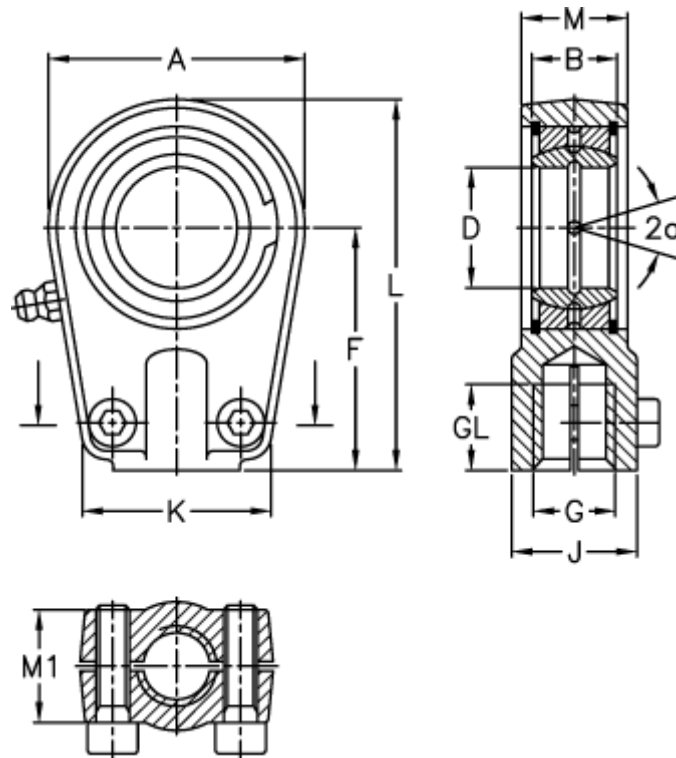
# Data Sheet



Article number: 03553060

Description: Fluro hydraulic rod end FPR 60U

## Measures



A	= 130	J	= 75
a (degrees)	= 6	K	= 120
B	= 44	L	= 200
D	= 60	M	= 50
Dynamic load C (kN)	= 245	M1	= 46
F	= 130	Static load C0 (kN)	= 400
g	= M58x1,5	Torque (N m)	= 210
GL	= 59	Weight	= 6200